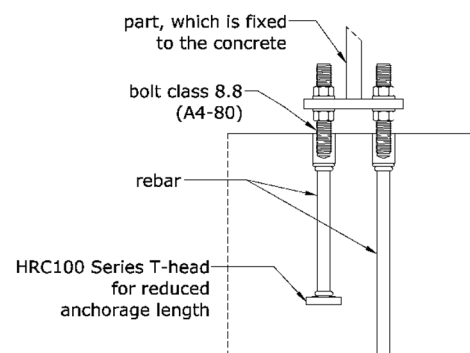
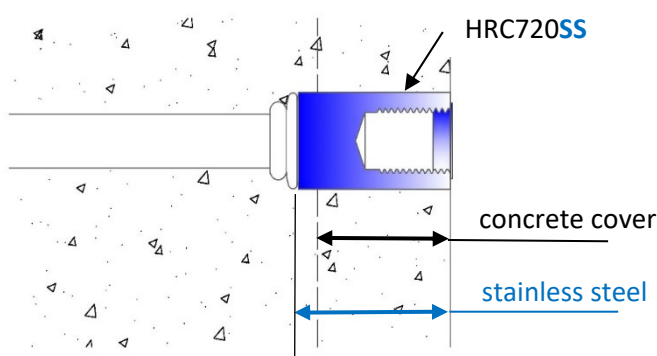


HRC720SS – Stainless Steel Cast-in Connection

HRC 720SS is a product for fastening of (steel) components to a concrete structure. The connection is based on a **stainless-steel** sleeve with ISO-metrical threads combined with a reinforcement steel bar. Possible applications include the fastening of guard rails and noise barriers on bridges, signposts, light poles, masts, lugs, racks and hangers. The product is supplied in length to project needs.



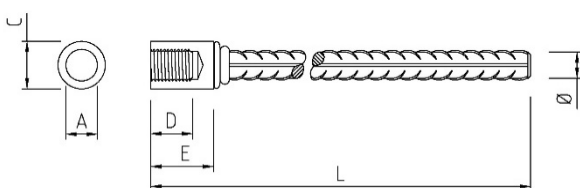
- ✓ **Strength as bolt A4-80**
 - ✓ Sleeve longer than concrete cover
 - ✓ Possible to combine with HRC T-head anchorage
- } Reduction of stainless material to a minimum



Application example: reduced anchorage length by use of HRC T-head

Performance: Fastening capacity equivalent a bolt of class **A4-80**

Geometry:



Thread size (A) [mm]	M16	M18*	M20	M24	M30
Outer diameter sleeve (C) [mm]	30	30	38	45	50
Thread length (D)	30	30	35	40	50
Length of sleeve (E)	80	80	80	80	80
Nominal rebar size (∅) [mm]	20	20	25	25	32
Product length (L)	acc. to order: 250 ... 12 000mm				

*special order

Material:

Rebar: according to EN 1992-1-1, Annex C, with nominal yield strength of 500 MPa; stainless grades possible
Sleeve: stainless steel, grade 1.4404/1.4435 (AISI 316L)

Certification:

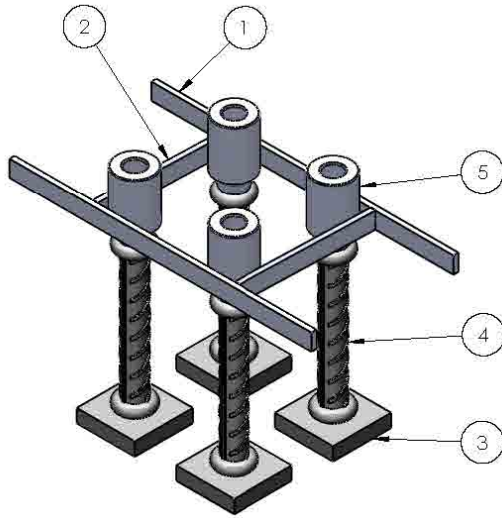
HRC700 Series is covered by a SINTEF Technical Approval (TG20072) and third-party control and surveillance. The approval document can be downloaded from [HRCs web site](#) or the web site of [SINTEF Certification](#)



BIM Support: se [HRCs website](#)

HRC product for fastening of guard rails

The product was developed in cooperation with the Norwegian Road Authority «Statens vegvesen» to provide functional, robust and safe fastening of posts for guard rails on bridges, retaining walls etc. The performance of the fixing has been tested and documented.



part no.	description
1	stainless flat steel
2	stainless flat steel
3	HRC120 T-head
4	rebar
5	HRC720SS stainless sleeve

NB! Assembly in a group of four products is an option. Can be delivered in a group or as four separate products.



Benefits of the product...	
during construction:	during the lifetime of the structure:
<p>timesaving installation</p> <ul style="list-style-type: none"> no additional assembly needed correct centre/centre distance, height differences etc. are taken care of can be inserted right in the finished reinforcement no protruding bolts always sufficient thread length for fastening bolt 	<p>Damaged rail posts can be replaced easily without concrete works.</p> <p>→ very effective and time saving operation (minimized road- and bridge closure, safety measures etc.)</p> <p>Most important: No reduction in capacity</p>



BIM support

Tekla plug-in for flexible detailing of fastening groups using HRCs solution.

For download see HRC website [HRCs web site](#) or [Tekla Warehouse](#):

