

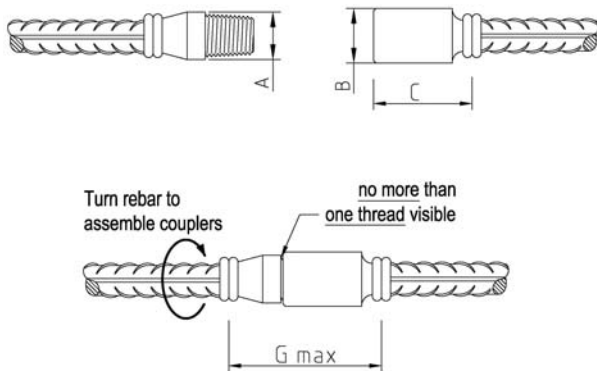
HRC 400 Series Mechanical splices

GEOMETRY

Standard Couplers

HRC 410 (Male)

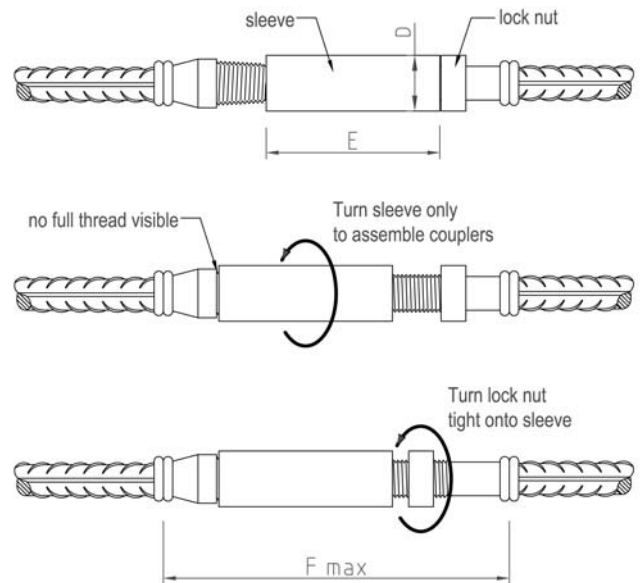
HRC 420 (Female)



Position Couplers

HRC 410 (Male)

HRC490 (Sleeve)



Nominal diameter of reinforcement bar	Sleeve and Thread Dimensions							Torque*	
	Ø	A	B	C	D	E	F max		G max
mm	mm	mm	mm	mm	mm	mm	mm	mm	Nm
12	22	22	45	-	-	-	72	160	
16	28	28	50	-	-	-	76	200	
20	35	35	55	-	-	-	85	200	
25	35	42	76	-	-	-	113	270	
32	45	55	90	55	157	330	135	270	
40	55	70	105	70	200	375	205	330	

* recommended torque for fatigue and earthquake loads

INSTALLATION

HRC 410/420

- Remove plastic-plug/cap
- Check for damage / remove dirt etc.
- Screw couplers firmly together by hand
- Visual control: → no full thread visible

HRC 410/490

- Make sure sleeve is positioned as far back onto the straight threaded bolt as possible.
- Remove plastic-plug/cap
- Check for damage / remove dirt etc.
- Position sleeve at male coupler end (see sketch above)
- Turn sleeve onto taper threaded end
- Make sure all threads are engaged on tapered end
- Visual control: → no full thread visible on tapered end
- Apply torque
- Turn lock nut firm onto sleeve, apply torque